

GCL-P6/60

Q series

HIGH EFFICIENCY
MULTICRYSTALLINE MODULE

• GCL-P6/60250



Anti PID



Excellent module efficiency up to 19%
from world leading wafer and cell production facilities



Positive power tolerance +5%



Nano coating reduces dust and dirt build up for maximum generation



Swiss Re-insurance provides 100% non-cancellable,
comprehensive warranty insurance



Salt-mist tested for coastal and high humidity installations



World class production facilities exceeding
ISO9001 and ISO14001

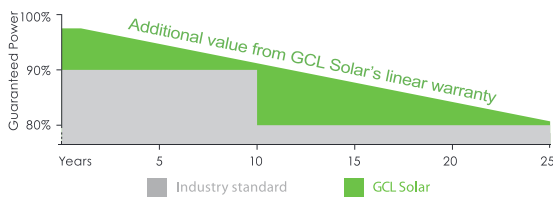
10
years
PRODUCT WARRANTY

25
years
LINEAR POWER WARRANTY

250^W
UP TO POWER OUTPUT

15.4%
UP TO EFFICIENCY

LINEAR PERFORMANCE WARRANTY



GCL SYSTEM INTEGRATION <http://www.gclsi.com>



B A B T



Bringing Green Power to Life

GCL-P6/60

HIGH EFFICIENCY MULTICRYSTALLINE MODULE

ELECTRICAL SPECIFICATION (STC)

Peak Power Watts	Pm(W)	250
Power Output Tolerance	Pm(%)	0-3
Maximum Power Voltage	Vm(V)	30.4
Maximum Power Current	Im(A)	8.26
Open Circuit Voltage	Voc(V)	37.5
Short Circuit Current	Isc(A)	8.86
Module Efficiency	(%)	15.2

Values at Standard Test Conditions STC (Air Mass AM1.5, Irradiance 1000W/m², Cell Temperature 25° C).

ELECTRICAL DATA (NOCT)

Maximum Power	Pm(W)	192
Power Output Tolerance	Pm(%)	0-3
Maximum Power Voltage	Vm(V)	27.8
Maximum Power Current	Im(A)	6.94
Open Circuit Voltage	Voc(V)	35.1
Short Circuit Current	Isc(A)	7.46

NOCT: Irradiance at 800W/m², Ambient Temperature 20° C, Wind Speed 1m/s.

MECHANICAL DATA

Solar Cells	Multicrystalline 156x156mm (6 inches)
Cell Orientation	60 Cells (6x10)
Module Dimensions	1640x992x40mm (64.56 x 39.05 x 1.57 inches)
Weight	18.5KG
Glass	High transparency solar glass 3.2mm (0.13 inches)
Backsheet	White
Frame	Anodized aluminium alloy
J-Box	IP67 Rated
Cables	Photovoltaic Technology cable 4.0mm ² (0.006 inches ²), 900mm (35.4 inches)
Connector	Genuine MC4

TEMPERATURE RATINGS

Nominal Operating Cell Temperature (NOCT)	45±2°C
Temperature Coefficient of P _{MAX}	-0.43% /°C
Temperature Coefficient of V _{oc}	-0.35% /°C
Temperature Coefficient of I _{sc}	0.04% /°C

MAXIMUM RATINGS

Operational Temperature	-40~+85°C
Maximum System Voltage	1000V DC(IEC)
Max Series Fuse Rating	15A

WARRANTY

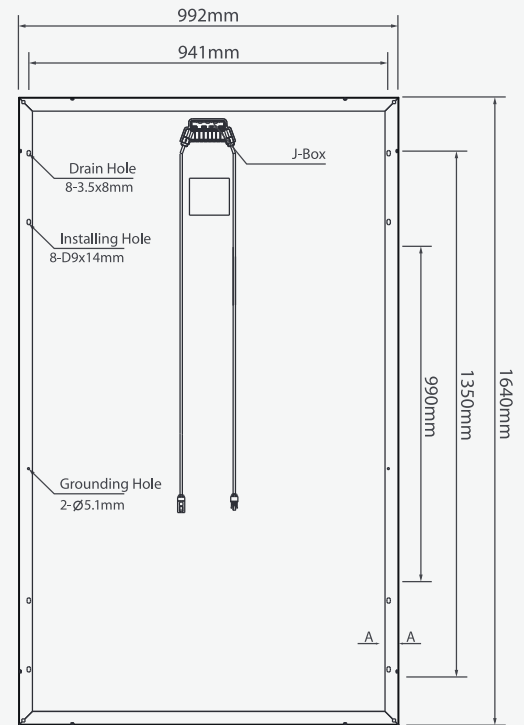
- 10 years Product Workmanship Warranty
- 25 years linear Power Warranty

(Please refer to GCL standard warranty for details)

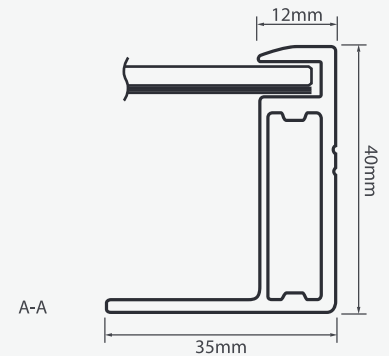
PACKAGING CONFIGURATION

- Modules per box: 26 pieces
- Modules per 40' container: 728 pieces

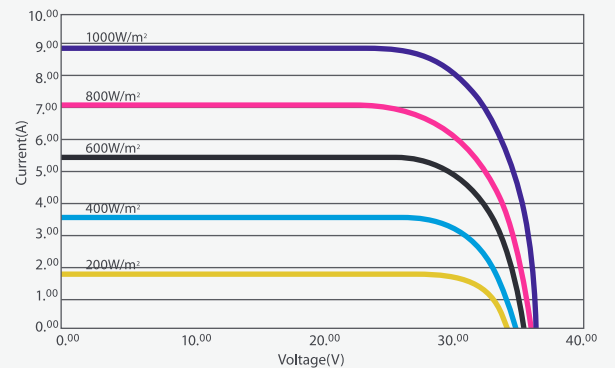
DIMENSIONS OF MODULE



Back View



I-V CURVES OF MODULE



Excellent performance under weak light conditions: at an irradiation intensity of 200W/m² W/m(AM 1.5, 25 °C), 95.5% or higher of the STC efficiency (1000 W/m²) is achieved



Bringing Green Power to Life

GCL-201504-V1

CAUTION: READ INSTALLATION MANUAL BEFORE USING THE PRODUCT

©2015 GCL System Intergration Technology Co., Ltd. All rights reserved. Specifications included in this datasheet are subject to change without notice.